

# FEATURES

- HIGH RELIABILITY FOR LOW COST

PETERMANN

TECHNIK

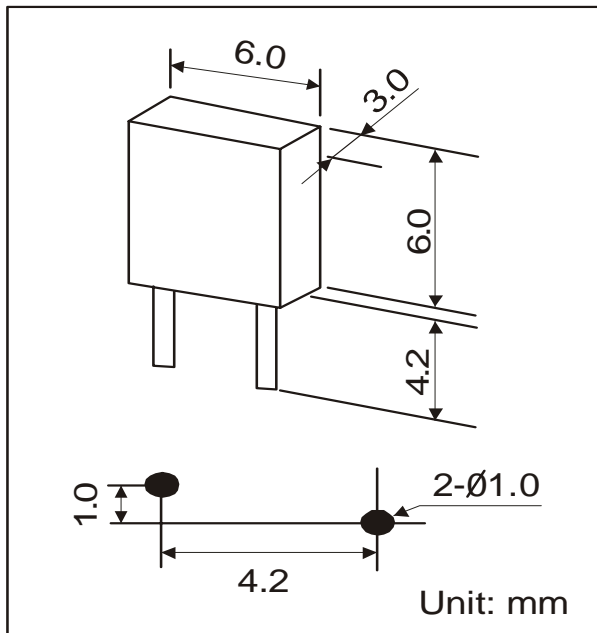
Time & Frequency Components

## CDBM SERIES OF CERAMIC DISCRIMINATOR FOR COMMUNICATION

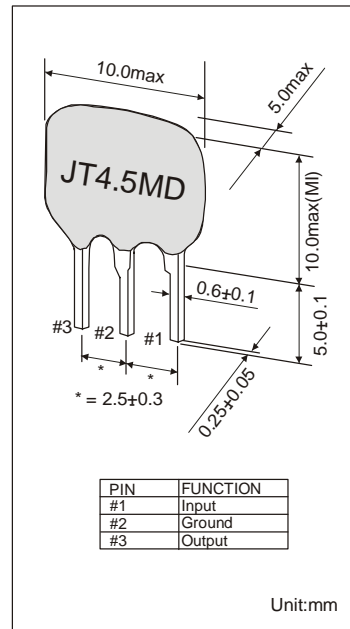
PART NUMBER	RECOVERED AUDIO		DISTORTION		IC	APPLICATION
	3 dB BANDWIDTH (from 455 kHz) min.	OUTPUT (at 455 kHz)	(at 455 kHz) max.	within 455 +-8 kHz		
CDBM455C28	+ -4.0	40 +-20 mW	30%	-	TA31142	CORDELSS
CDBM455C32	+ -4.0	40 +-20 mW	30%	-	TA31143	CORDELSS

PART NUMBER	RESONANT FREQUENCY (Fr)	ANTIRESONANT FREQUENCY (Fa)	$\Delta F$ (Fa-Fr)	RESONANCE RESISTANCE (R1)	CAPACI. (C)	IC	APP.
CDBM455C3	-	455 +-1.5 kHz	46 +-5 kHz%	70 $\Omega$ max.	550 pF +-20%	CXA1184M	CORDL.

### PACKAGE DIMENSION OF CDBM



### PACKAGE DIMENSION OF JT SERIES

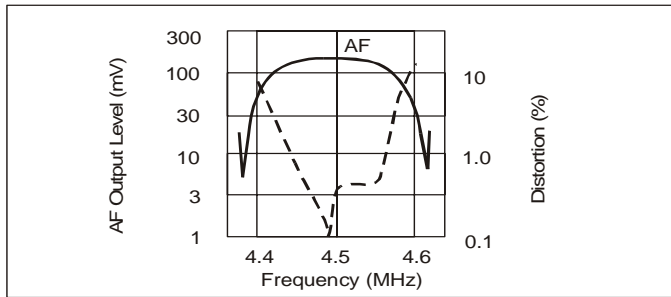


## JT SERIES OF CERAMIC DISCRIMINATOR FOR TV/VCR

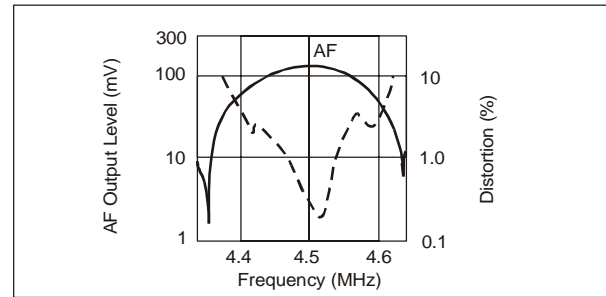
455.0 kHz

PART NUMBER	RECOVERED AUDIO VOLTAGE (mV)	RECOVERED AUDIO 3 dB BANDWIDTH (kHz)	DISTORTION FACTOR (%)	DETECTION METHOD	APPLIED IC
JT4.5MD	≥ 100	≥ +50	≤ 3	DIFFERENTIAL PEAK	TA7176P
JT5.5MD					
JT6.0MD					
JT6.5MD	≥ 140	≥ +55	≤ 1.5	QUADRATURE	UPC1382C
JT4.5MC					
JT5.5MC					
JT6.0MC		≥ +60			

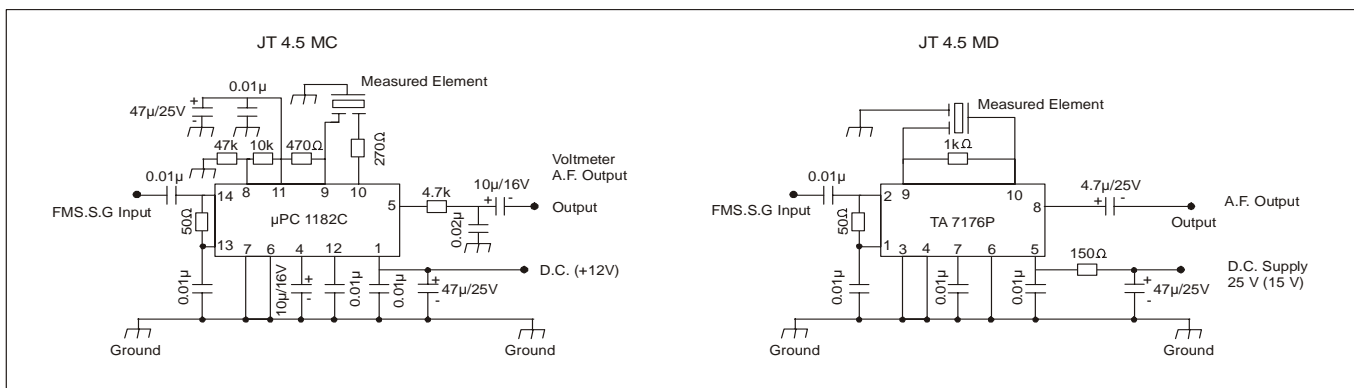
**FREQUENCY CHARACTERISTICS FOR MT4.5MC**



**FREQUENCY CHARACTERISTICS FOR MT4.5MD**



**TEST CIRCUIT**

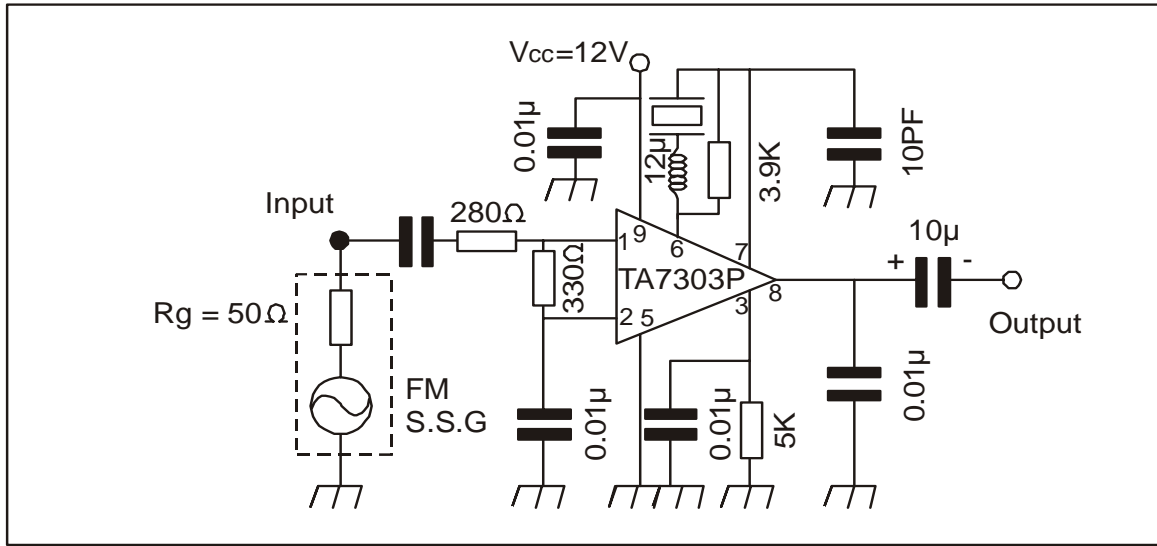


**JT10.7 SERIES OF CERAMIC DISCRIMINATOR FOR FM**

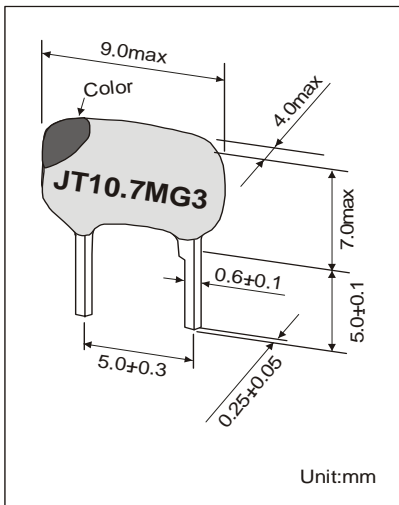
**10.7 MHz**

PART NUMBER	DEMODULATION OUTPUT AT FO (mV) min.	DISTORTION FACTOR AT FO (%) max.	DEMODULATION 3 dB BANDWIDTH (kHz) (min.)	APPLICABLE IC
JT10.7MG1	25	1.0	345	CX-2009, CX-2001
JT10.7MG3	25	1.0	+150	TA7303P, TA7130P, μPC1028H, LA1150
JT10.7MG16	60 ~ 90	0.9	300	TA8122AN
JT10.7MG18	60 ~ 90	0.9	300	TA8132N
JT10.7MG31	50	1.0	300	TA2007
JT10.7MG33	45	0.7	250	TA2009P/F
JT10.7MG80	65	1.0	300	TA2104AFN
JT10.7MG82	90	0.8	320	TA2009N
JT10.7MG92	60	1.0	300	TA2132P
JT10.7MC1	35	1.0	242	CXA1019M, CX-20091

**EXAMPLE OF APPLICATION**



**PACKAGE DIMENSIONS**



**SPECIFICATION**

CENTER FREQUENCY	COLOR
O: 10.64 MHz +30 kHz	BLACK
B: 10.67 MHz +30 kHz	BLUE
A: 10.70 MHz +30 kHz	RED
F: 10.73 MHz +30 kHz	ORANGE
C: 10.75 MHz +30 kHz	WHITE