

FEATURES

- HIGH RELIABILITY FOR LOW COST
- CHEAPEST AVAILABLE LOW FREQUENCY CRYSTAL
- EXCELLENT CLOCK SIGNAL GENERATOR FOR CPU'S

PETERMANN



TECHNIK

Time & Frequency Components

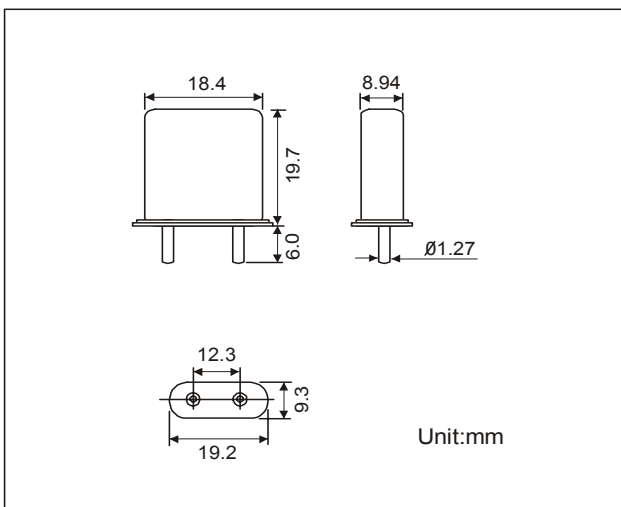
SERIES	HC-48/U AND HC-51U	
PACKAGE	SEE OUTLINE DRAWING	
FREQUENCY RANGE	455.0 ~ 756.8 kHz	800.0 kHz ~ 4.5 MHz
MODE OF VIBRATION	SL-CUT	AT-CUT
FREQUENCY TOLERANCE AT 25°C	+30 PPM ~ +50 PPM	
TEMPERATURE RANGE	-10/+60°C	
TEMPERATURE STABILITY	SL-CUT	+100 PPM
STABILITY	AT-CUT	+30 PPM
LOAD CAPACITANCE	8 ~ 32 PF OR SERIES	
SHUNT CAPACITANCE	7 PF MAX.	
DRIVE LEVEL	2 mW MAX.	
AGING	+7 PPM PER YEAR	
INSULATION RESISTANCE	>500 MΩ DC/100V +-10%	
DELIVERY FORM	BULKS	
OTHER PARAMETERS ARE AVAILABLE ON REQUEST / CREATE HERE YOUR SPECIFICATION		

PART NUMBERING SYSTEM

EXAMPLE	HC-48/U 455.0 kHz 50/100/-10+60/20pF
----------------	--------------------------------------

SERIES	HC48/U OR HC-51/U
FREQUENCY	REQUIRED VALUE
FREQUENCY TOLERANCE AT 25°C	REQUIRED VALUE
TEMPERATURE STABILITY	REQUIRED VALUE
TEMPERATURE RANGE	REQUIRED VALUE
LOAD CAPACITANCE	REQUIRED VALUE

OUTLINE DRAWING OF HC-48/U



OUTLINE DRAWING OF HC-51/U

