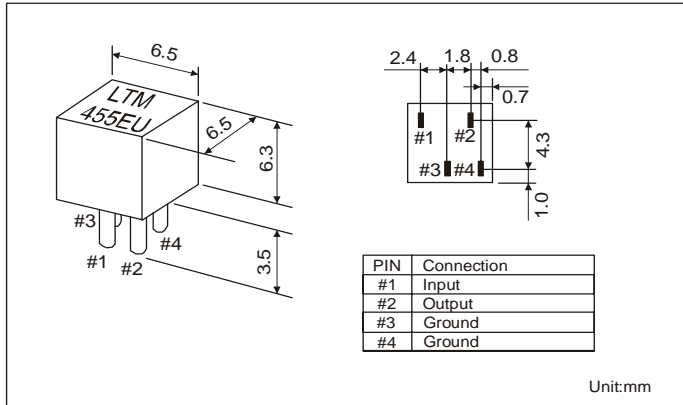


FEATURES

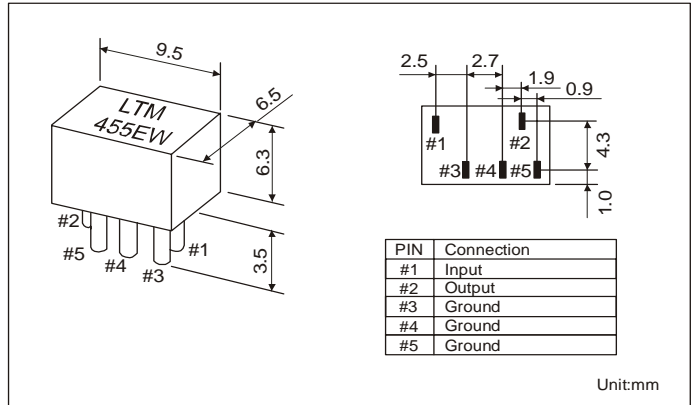
- HIGH RELIABILITY FOR LOW COST
- LOW INSERTION LOSS

PART NUMBER	CENTER FREQUENCY	Insertion Loss	PASS BAND RIPPLE (dB) max.	6 dB BAND WITH (kHz) min.	40 dB BAND WITH (LTM455 U)	50 dB BAND WITH (LTM455 U)	STOP BAND ATTENUATION fo +100 kHz(dB)min.		INPUT/OUTPUT IMPEDANCE Ω	
							(LTM455 U)	(LTM455 W)		
LTM455BU	LTM455BW	455 +2 kHz	4 dB max.	2	+15 kHz	+30 kHz max.	+30 kHz max.	30	40	1500
LTM455CU	LTM455CW	455 +2 kHz	4 dB max.	2	+12.5 kHz	+24 kHz max.	+24 kHz max.	30	40	1500
LTM455DU	LTM455DW	455 +-1.5 kHz	4 dB max.	2	+10 kHz	+20 kHz max.	+20 kHz max.	30	40	1500
LTM455EU	LTM455EW	455 +-1.5 kHz	6 dB max.	2	+7.5 kHz	+15 kHz max.	+15 kHz max.	30	40	1500
LTM455FU	LTM455FW	455 +-1.5 kHz	6 dB max.	2	+6 kHz	+12.5 kHz max.	+12.5 kHz max.	30	40	2000
LTM455GU	LTM455GW	455 +-1.5 kHz	6 dB max.	2	+4.5 kHz	+10 kHz max.	+10 kHz max.	30	40	2000
LTM455HU	LTM455HW	455 +1 kHz	6 dB max.	2	+3 kHz	+9 kHz max.	+9 kHz max.	30	40	2000
LTM455IU	LTM455IW	455 +1 kHz	6 dB max.	2	+2 kHz	+7.5 kHz max.	+7.5 kHz max.	30	40	2000
LTM455HTU	LTM455HTW	455 +1 kHz	6 dB max.	2	+2 kHz	+9 kHz max.	+9 kHz max.	35	60	2000

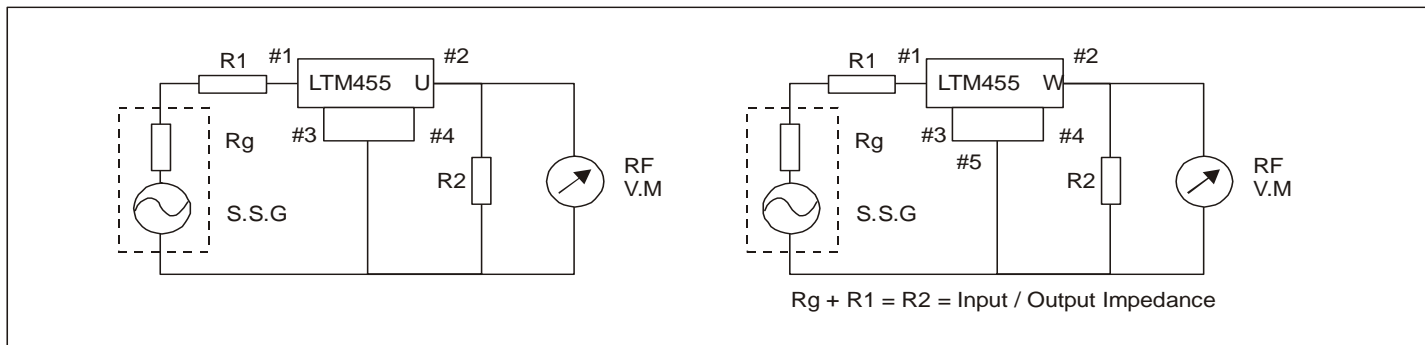
PACKAGE DIMENSIONS FOR U VERSION



PACKAGE DIMENSIONS FOR W VERSION



TEST CIRCUIT



CHARACTERISTICS

