

FEATURES

- HIGH RELIABILITY FOR LOW COST
- SMALLEST AVAILABLE SMD-WATCH-CRYSTAL
- OPERATING TEMPERATURE RANGE OF -40/+85°C
- EXCELLENT CLOCK SIGNAL GENERATOR FOR CPU'S



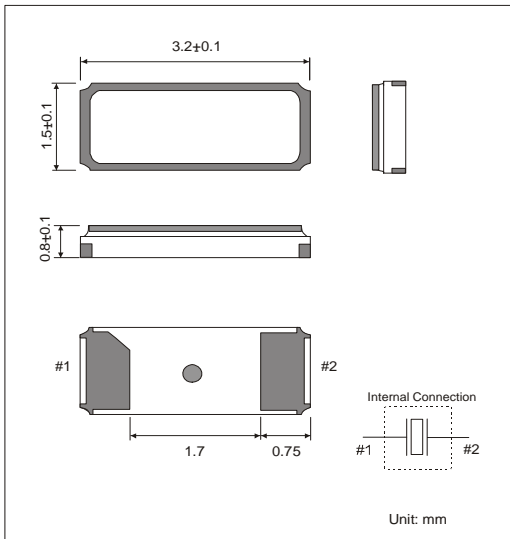
ULTRA MINI SMD-WATCH CRYSTAL SERIES	M3215
PACKAGE DIMENSIONS	3.2 x 1.5 x 0.8 mm
FREQUENCY	32.768 kHz
FREQUENCY TOLERANCE AT 25°C	+20 ppm (standard) / +10 ppm (optional)
LOAD CAPACITANCE	12.5 pF (standard) / 6 pF, 7 pF and 9 pF available on demand
SERIES RESISTANCE	70 kΩ max.
OPERATING TEMPERATURE RANGE	-40/+85°C
STORAGE TEMPERATURE RANGE	-55/+125°C
PARABOLIC COEFFICIENT	-0.04 ppm/°C ² max.
TURNOVER TEMPERATURE	+25°C ±5°C
DRIVE LEVEL	0.5 μW max.
SHUNT CAPACITANCE C0	1.0 pF typical
MOTIONAL CAPACITANCE C1	3.4 fF typical
DELIVERY FORM	Tape & Reel (1.000 pcs per reel)
OTHER PARAMETERS ARE AVAILABLE ON REQUEST / CREATE HERE YOUR SPECIFICATION	

PART NUMBERING SYSTEM

EXAMPLE	M3215 32.768 kHz +20 ppm -40/+85 12.5PF
----------------	---

PACKAGE	M3215
FREQUENCY	32.768 kHz
FREQUENCY TOLERANCE AT 25°C	REQUIRED VALUE
TEMPERATURE RANGE	-40/+85°C standard temperature range
LOAD CAPACITANCE	REQUIRED VALUE

OUTLINE DRAWING



RECOMMENDED LAND PATTERN

