

# FEATURES

- HIGH RELIABILITY FOR LOW COST
- WIDE FREQUENCY RANGE
- SMD PACKAGES WITH SMALL DIMENSIONS AND LOW PROFILE
- EXCELLENT ATTENUATION BEHAVIOUR

PETERMANN

TECHNIK

Time & Frequency Components

## ONE - PORT & TWO - PORT SAW RESONATORS

TYPE	$\Delta f_0^*$ (MHz)	$\Delta f_0$ (kHz)	Insertion Loss (dB)	PACKAGE	Freq.-Temp.-Coeff.
<a href="#">SR433</a>	433.02	+75 / +-100	<2.5 for One-Port <7.5 for Two-Port	T0-39 / F-11 / 5x5 SMD	0.032 ppm/°C <sup>2</sup>
<a href="#">SR418</a>	418.00	+75 / +-100	<2.5 for One-Port <7.5 for Two-Port	T0-39 / F-11 / 5x5 SMD	0.032 ppm/°C <sup>2</sup>
<a href="#">SR318</a>	318.00	+75 / +-100	<2.5 for One-Port <7.5 for Two-Port	T0-39 / F-11 / 5x5 SMD	0.032 ppm/°C <sup>2</sup>
<a href="#">SR315</a>	315.00	+75 / +-100	<2.5 for One-Port <7.5 for Two-Port	T0-39 / F-11 / 5x5 SMD	0.032 ppm/°C <sup>2</sup>

\* The nominal center frequency ( $f_0$ ) range is from 200 MHz to 1 GHz

Other parameters and packages are available on request

## SAW-FILTER FOR REMOTE CONTROL

TYPE	Center Frequency (MHz)	Band Width		Insertion Loss (dB)	Package
		dB	MHz		
<a href="#">SF314</a>	314.0	3	$f_0 \pm 0.35$	2.5	T0-39 / F-11
<a href="#">SF315</a>	315.0	3	$f_0 \pm 0.35$	2.5	T0-39 / F-11
<a href="#">SF418</a>	418.0	3	$f_0 \pm 0.35$	2.5	T0-39 / F-11
<a href="#">SF433</a>	433.92	3	$f_0 \pm 0.35$	2.5	T0-39 / F-11

Other parameters and packages are available on request

## SAW-FILTER FOR COMMUNICATION

TYPE	Center Frequency (MHz)	Band Width		Insertion Loss (dB)	Package
		dB	MHz		
<a href="#">D150RFQ</a>	138 ~ 174	3	$f_0 \pm 0.05$	<5	F-11
<a href="#">D280RFQ</a>	278 ~ 284	3	$f_0 \pm 0.05$	<5	F-11
<a href="#">D150TFN</a>	138 ~ 174	3	$f_0 \pm 4.0$	<6.5	F-11
<a href="#">D280TFN</a>	178 ~ 284	3	$f_0 \pm 3.3$	<4.5	F-11
<a href="#">D450TFN</a>	400 ~ 500	3	$f_0 \pm 4.0$	<4.5	F-11

Other parameters and packages are available on request

Other Typical D1106(110.592MHz), D304TFN(304 MHz), D325TFN(325 MHz), D388(388MHz), D930(930.5MHz)

Types D450 (402/406/410/414/418/422/426/430/430/434/438/442/446/450/454/458/462/466/470/474/478/482/486/490/492/494/498/502/506/510/514/518 MHz)

**SAW-FILTER FOR CORDLESS PHONE & COMMUNICATION**

TYPE	Center Frequency (MHz)	Band Width		Insertion Loss (dB)	Package
		dB	MHz		
<a href="#">D45</a>	45.36	3	f0 +1	<5	SF-712
<a href="#">D48</a>	48.36	3	f0 +1	<5	SF-712
<a href="#">D45/48</a>	45.36/48.36	3	f0 +1	<5	SF-915
<a href="#">D903</a>	903.75	3	f0 +-2	<5	F-11
<a href="#">D927</a>	927.75	3	f0 +-2	<5	F-11
<a href="#">D886</a>	886.0	3	f0 +-2	<4	F-11
<a href="#">D931</a>	931.0	3	f0 +-2	<4	F-11
<a href="#">D914</a>	914.0	3	f0 +-2	<4	F-11
<a href="#">D959</a>	959.0	3	f0 +-2	<4	F-11

Other parameters and packages are available on request

**SAW-FILTER FOR SATELLITE-RECEIVER**

TYPE	Center Frequency (MHz)	Band Width		Insertion Loss (dB)	Package
		dB	MHz		
<a href="#">D479.5B</a>	479.5	3	f0 +13.5	<21	TO-39

Other parameters and packages are available on request

**SAW-FILTER FOR CELLULAR PHONE / RF-STAGE SERIES**

TYPE	Center Frequency (MHz)	Pass-Band Width	Insertion Loss max.	WSWR max.	Package Application
<a href="#">D902</a>	902.5	25 MHz	3.5 dB	2.5	3 x 3 mm SMD FOR GSM
<a href="#">D947</a>	947.5	25 MHz	3.5 dB	2.5	3 x 3 mm SMD FOR GSM
<a href="#">D942</a>	942.5	35 MHz	3.5 dB	2.5	3 x 3 mm SMD FOR PDC/EGSM
<a href="#">D836</a>	836.5	25 MHz	3.5 dB	2.5	3 x 3 mm SMD FOR CDMA/AMPS

Other parameters and packages are available on request

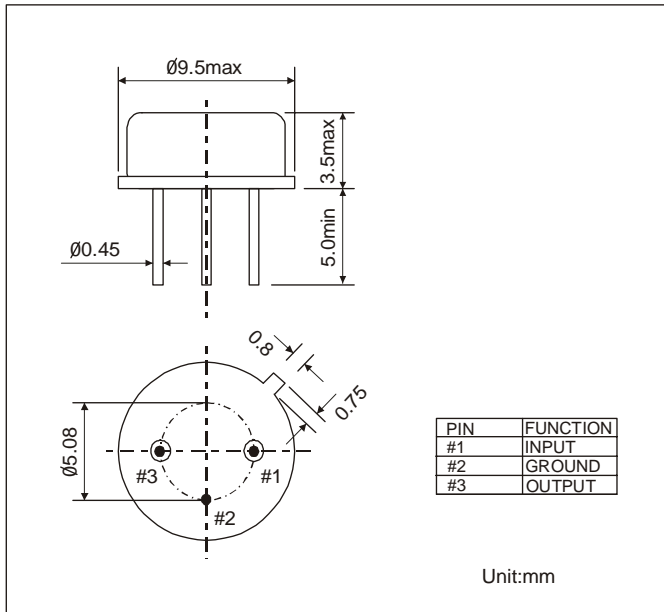
**SAW-FILTER FOR CELLULAR PHONE / IF-STAGE SERIES**

TYPE	Center Frequency (MHz)	Pass-Band Width	Insertion Loss max.	WSWR max.	Package Application
<a href="#">D881</a>	881.5	25 MHz	3.5 dB	2.5	3 x 3 mm SMD FOR CDMA/AMPS
<a href="#">D246</a>	246.0	+80 MHz	8 dB	2.0 $\mu$ s	5 x 5 mm SMD FOR GSM
<a href="#">D400</a>	400.0	+83 MHz	6 dB	1.0 $\mu$ s	5 x 5 mm SMD FOR GSM
<a href="#">D85</a>	85.38	+300 MHz	15 dB	3.0 $\mu$ s	7 x 5 mm SMD FOR CDMA

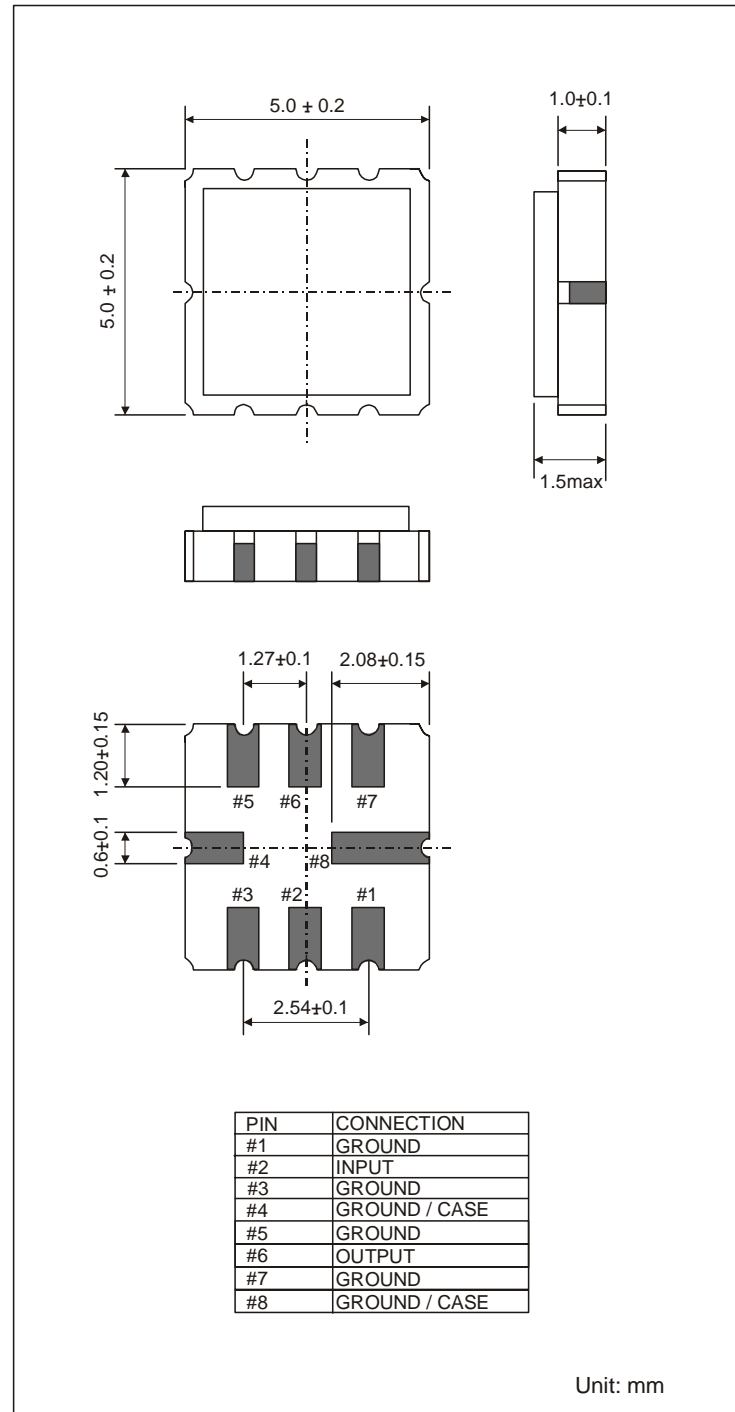
Other parameters and packages are available on request

## PACKAGE DRAWINGS

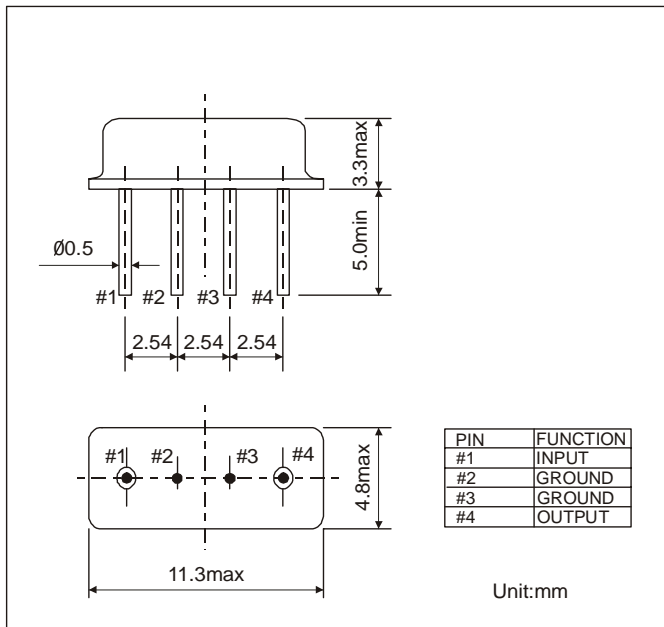
### TO-39



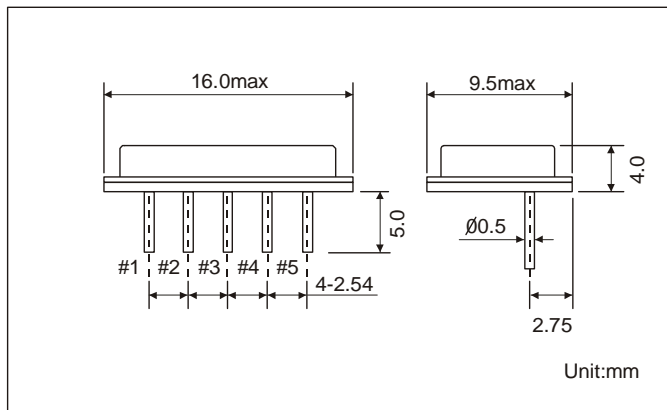
### 5 x 5 mm SMD



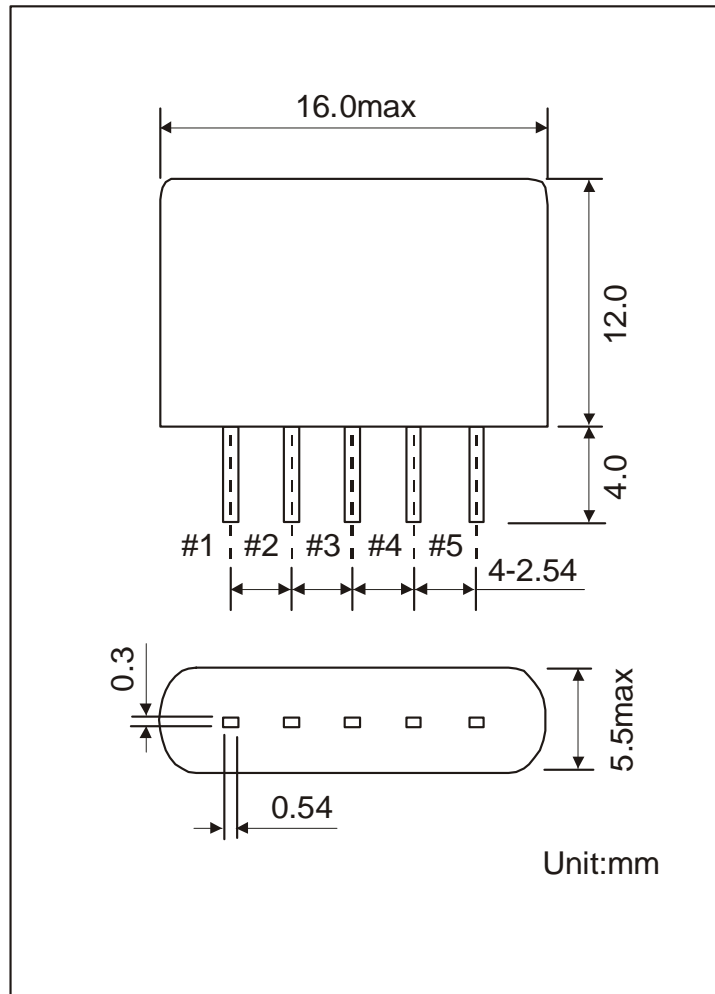
### F-11



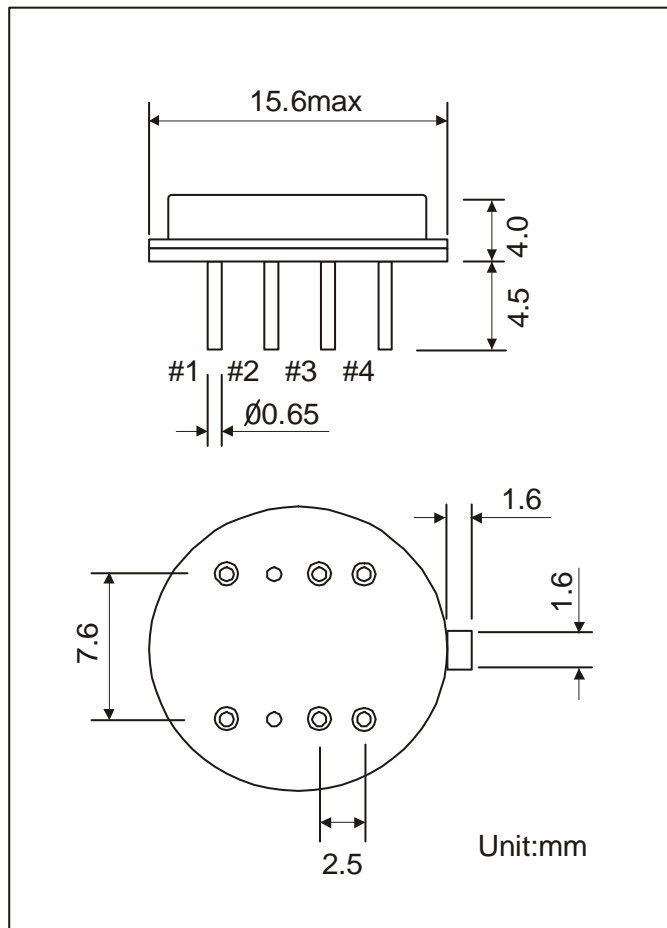
**SF-915**



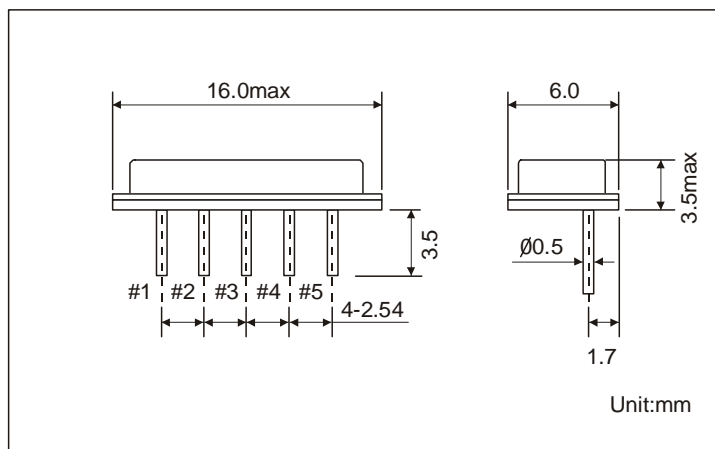
**SIP5L**



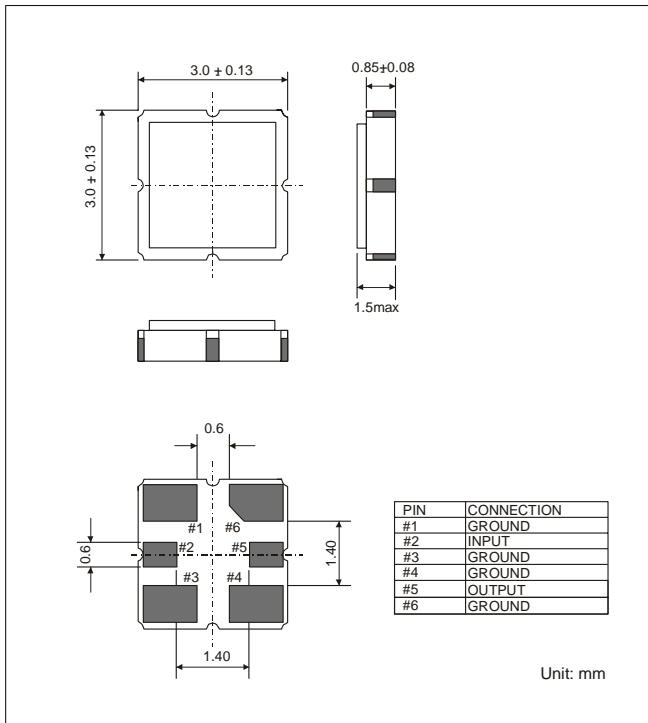
**T-4**



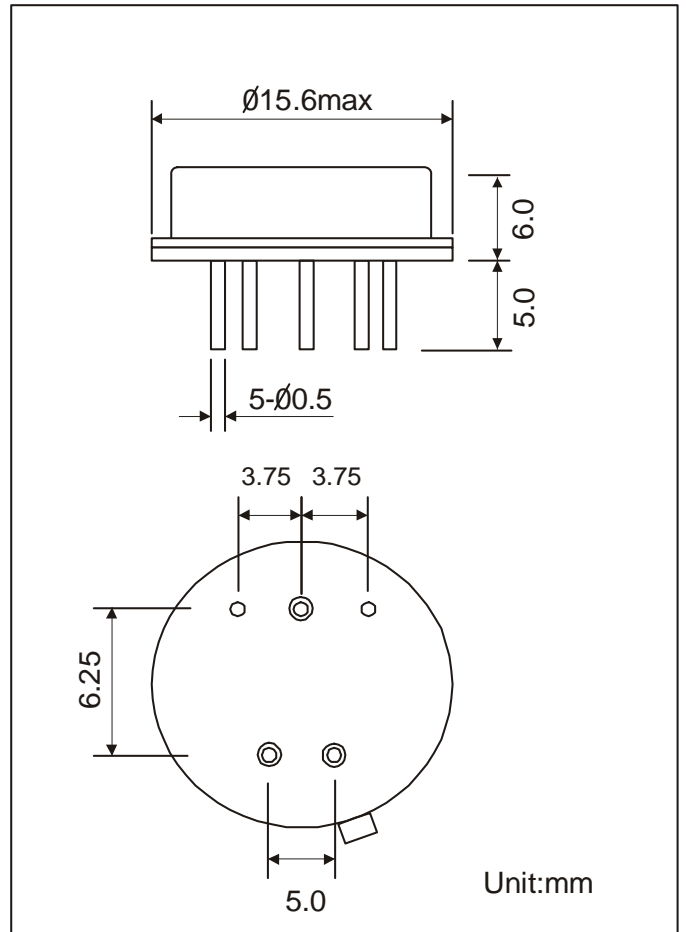
**S-6BA**



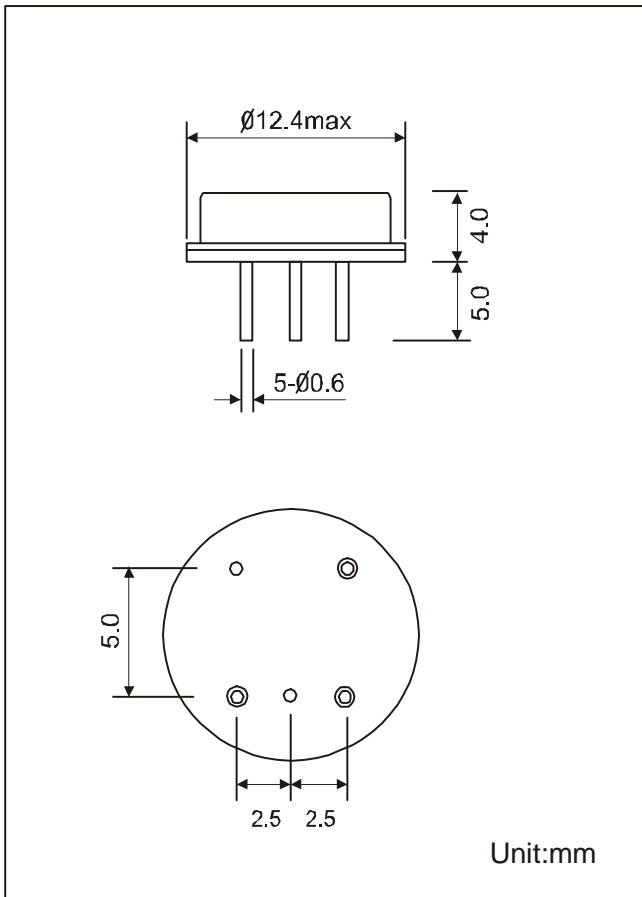
### 3 x 3 mm SMD



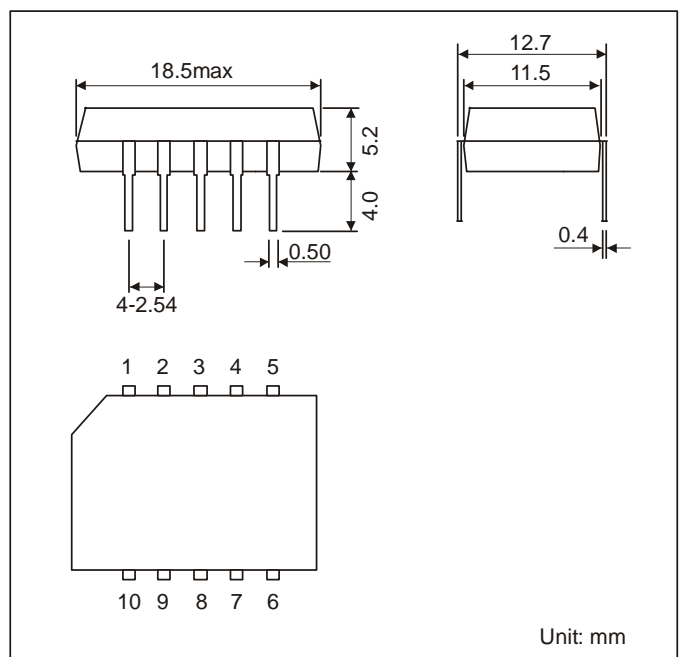
### TO-8



### TO-5



### DIP10K



**7 x 5 mm SMD**

