

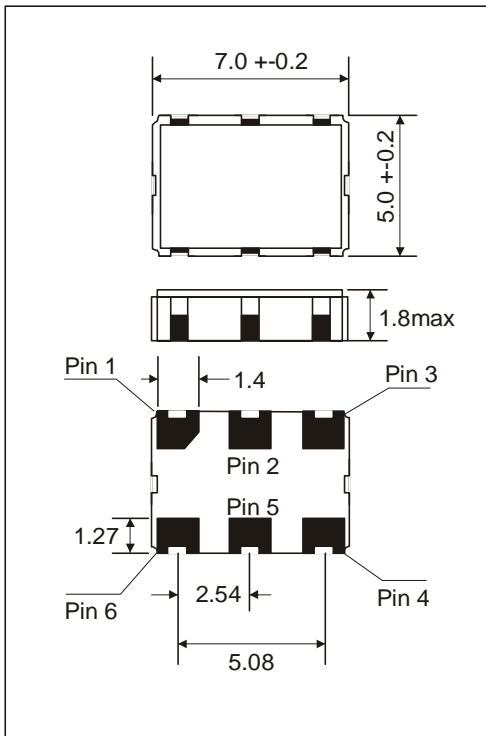


FEATURES

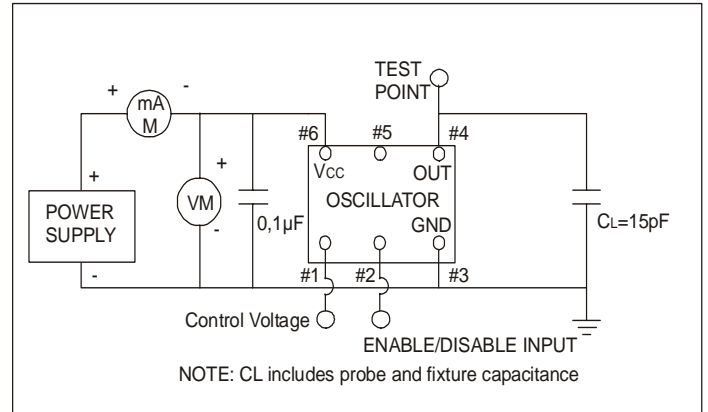
- HIGH RELIABILITY FOR LOW COST
- **SPECIALLY DESIGNED FOR STMICROELECTRONICS CHIPSETS**
- FREQUENCY STABILITY OF +/-15 PPM AVAILABLE ON REQUEST
- CHEAPEST AVAILABLE SMD-OSCILLATOR IN CERAMIC PACKAGE
- EXTENDED TEMPERATURE RANGE TO -40/+85°C AVAILABLE ON REQUEST

SMD-OSCILLATOR SERIES		SMD-VCXO
PACKAGE		Ceramic package 7.0 x 5 x 1.8 mm ³
FREQUENCY		27.000 MHz
FREQUENCY STABILITY		+50 ppm max.
OPERATING TEMPERATURE RANGE		0/+70°C
STORAGE TEMPERATURE RANGE		-55/+125°C
INPUT	VOLTAGE	+3.3 VDC +-5%
	CURRENT	30 mA max.
OUTPUT	SYMMETRY	40/60%
	SIGNAL	CMOS
	RISE AND FALL TIME MAX.	10 nS max. (10% VDD TO 90% VDD)
	RISE AND FALL TIME TYP.	5 nS typ. (10% VDD TO 90% VDD)
	"0" LEVEL	10% VDD
	"1" LEVEL	90% VDD
LOAD		30 pF / 5 TTL
START-UP TIME		10 mS max. / 5 mS typ.
INPUT IMPEDANCE		50 kΩ min.
CONTROL VOLTAGE RANGE		0.3 ~ 3.0 VDC
CENTER VOLTAGE		1.65 VDC
PULLABILITY		+100 ppm min.
LINEARITY		10% max.
SLOPE		POSITIVE
PIN CONNECTION	PIN 1	CONTROL VOLTAGE
	PIN 2	ENABLE / DISABLE
	PIN 3	GROUND
	PIN 4	OUTPUT
	PIN 5	NOT CONNECT
	PIN 6	SUPPLY VOLTAGE
PACKAGE		TAPE AND REEL / 1.000 pcs per Reel
ORDERING CODE		SMD-VCXO-0507-27.000MHz-STM

OUTLINE DRAWING



TEST CIRCUIT



RECOMMENDED LAND PATTERN

