



FEATURES

- CHEAPEST AVAILABLE MINIATURE SMD-CRYSTAL IN CERAMIC PACKAGE
- HIGH RELIABILITY FOR LOW COST
- LOW PROFILE - 0.6 MM MAX. PACKAGE HEIGHT
- EXTENDED TEMPERATURE RANGE TO -40/+125°C AVAILABLE
- DESIGNED FOR THE USE IN MOBILE COMMUNICATION, AUTOMOTIVE, ETC.
- TIGHT TOLERANCES AND STABILITIES AVAILABLE

MINI-SMD-CRYSTAL SERIES		SMD03025/4
FREQUENCY RANGE		12.0 ~ 50.0 MHz (AT-FUNDAMENTAL)
STANDARD FREQUENCIES IN MHz		12.000 / 13.000 / 14.7456 / 16.000 / 16.384 / 18.432 MHz / 19.000 19.200 / 20.000 / 24.000 / 24.576 MHz / 25.000 / 26.000 / 27.000 30.000 / 32.000 / 36.000 / 40.000 / 48.000 / 50.000 MHz
RESONANCE RESISTANCE		12 MHz = <100 Ω / 13 - 19.2 MHz = <80 Ω / 20 - 48 MHz = <50 Ω
FREQUENCY TOLERANCE AT 25°C		+10 ppm ~ +50 ppm
WORKING TEMPERATURE RANGE		0/+50°C ~ -40/+125°C
TEMPERATURE STABILITY	+10 ppm	0+50°C / -10/+60°C / 0/+70°C / -20/+70°C
	+15 ppm	0+50°C / -10/+60°C / 0/+70°C / -20/+70°C / -40/85°C
	+20 ppm	0+50°C / -10/+60°C / 0/+70°C / -20/+70°C / -40/+85°C
	+30 ppm	0+50°C / -10/+60°C / 0/+70°C / -20/+70°C / -40/+85°C
	+50 ppm	0+50°C / -10/+60°C / 0/+70°C / -20/+70°C / -40/+85°C / -40/+125°C
LOAD CAPACITANCE		6 ~ 50 pF or Series
SHUNT CAPACITANCE		7 pF max.
DRIVE LEVEL		0.01 mW ~ 0.1 mW (optional 0.2 mW max. available)
AGING		+2 ppm per year (optional +-1 ppm available)
INSULATION RESISTANCE		>500 MΩ DC/100V +-10%
STORAGE TEMPERATURE		-55/+125°C
PACKAGE		Tape and Reel (1.000 ~ 3.000 pcs per reel)

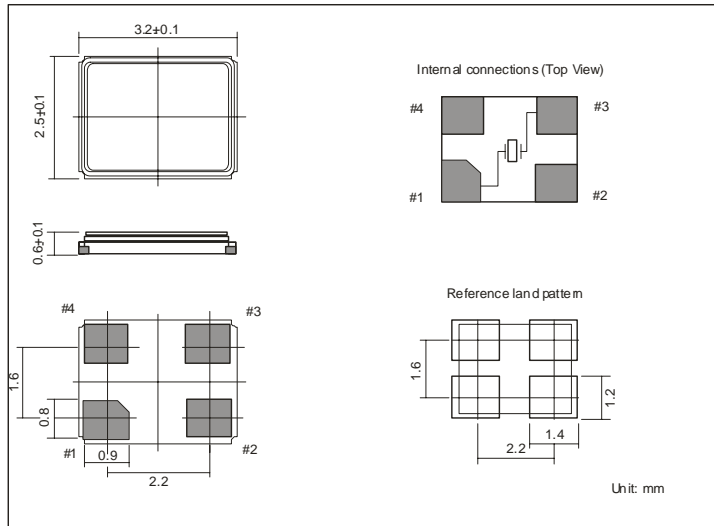
OTHER PARAMETERS ARE AVAILABLE ON REQUEST / CREATE HERE YOUR SPECIFICATION

PART NUMBERING SYSTEM

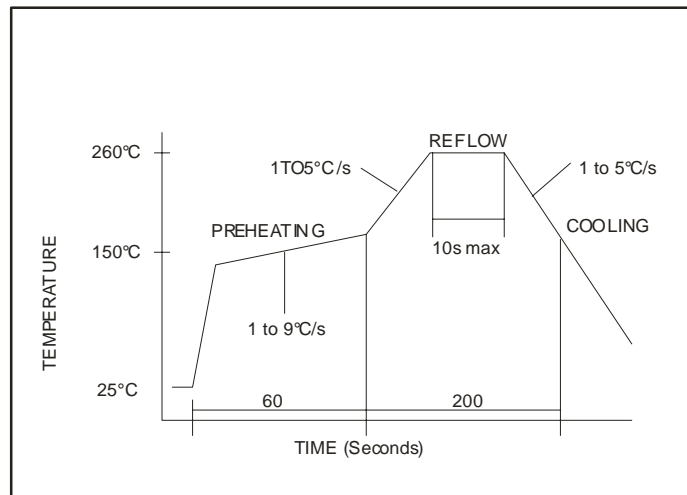
EXAMPLE	SMD03025/4 26.000 MHz 10/10/0+70/12pF
----------------	---------------------------------------

TYPE	SMD03025/4
FREQUENCY	IN MHZ
FREQUENCY TOLERANCE AT 25°C	REQUIRED VALUE
TEMPERATURE STABILITY	REQUIRED VALUE
TEMPERATURE RANGE	REQUIRED VALUE
LOAD CAPACITANCE	REQUIRED VALUE

OUTLINE DRAWING OF SMD03025/4



REFLOW SOLDER PROFILE



Crystals can be soldered according to the norm JEDEC J-STD-020C.

REEL SPECIFICATION

