

FEATURES

- HIGH RELIABILITY FOR LOW COST
- SMALL DIMENSIONS
- EXCELLENT CLOCK SIGNAL GENERATOR FOR 1 Hz TIMING FREQUENCY

PETERMANN

TECHNIK

Time & Frequency Components

SERIES	JYR		
PACKAGE	SEE OUTLINE DRAWINGS		
CRYSTAL HOLDERS	JYR38	JYR26	JYR15
FREQUENCY	32.768 kHz		
MAXIMUM SERIES RESISTANCE	35 kΩ MAX.	35 kΩ MAX.	40 kΩ MAX.
FREQUENCY TOLERANCE AT 25°C	+20 PPM STANDARD (+10 ~ +50 PPM POSSIBLE)		
TEMPERATURE RANGE	-10/+60°C		
STORAGE TEMPERATURE	-20/+70°C		
TEMPERATURE STABILITY	-0.035 PPM/°C ² TYP.		
LOAD CAPACITANCE	12.5 PF STANDARD		
SHUNT CAPACITANCE	1.6 PF TYP.	1.35 PF TYP.	1.0 PF TYP.
DRIVE LEVEL	1 μW TYP.		
AGING	+3 PPM PER YEAR		
DELIVERY FORM	BULKS		

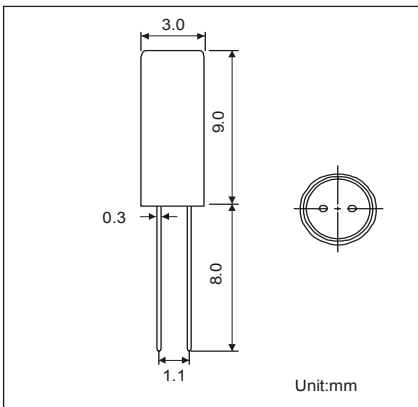
OTHER PARAMETERS ARE AVAILABLE ON REQUEST / CREATE HERE YOUR SPECIFICATION

PART NUMBERING SYSTEM

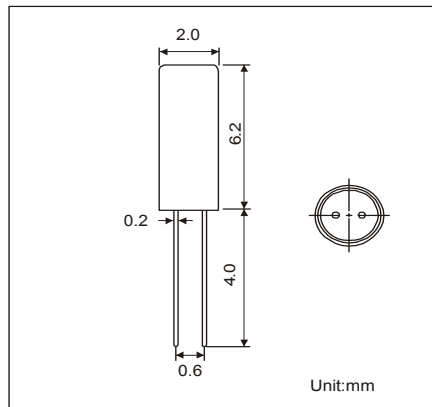
EXAMPLE	JYR38 32.768 kHz +20 PPM 12.5 PF
----------------	---

SERIES	JYR38 OR JYR26 OR JYR15
FREQUENCY	32.768 kHz
FREQUENCY TOLERANCE AT 25°C	REQUIRED VALUE
LOAD CAPACITANCE	REQUIRED VALUE

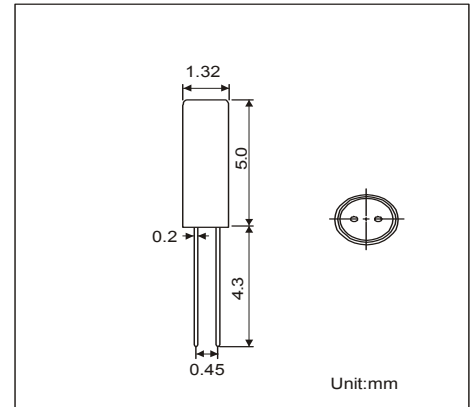
OUTLINE DRAWING JYR38



OUTLINE DRAWING JYR 26



OUTLINE DRAWING OF JYR15



TEMPERATURE CHARACTERISTICS

