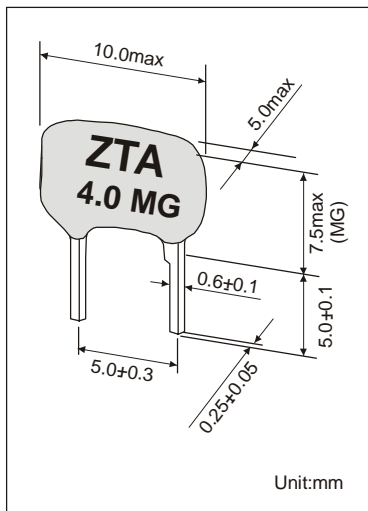
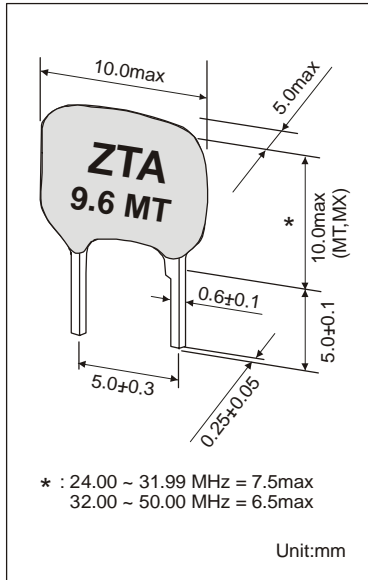


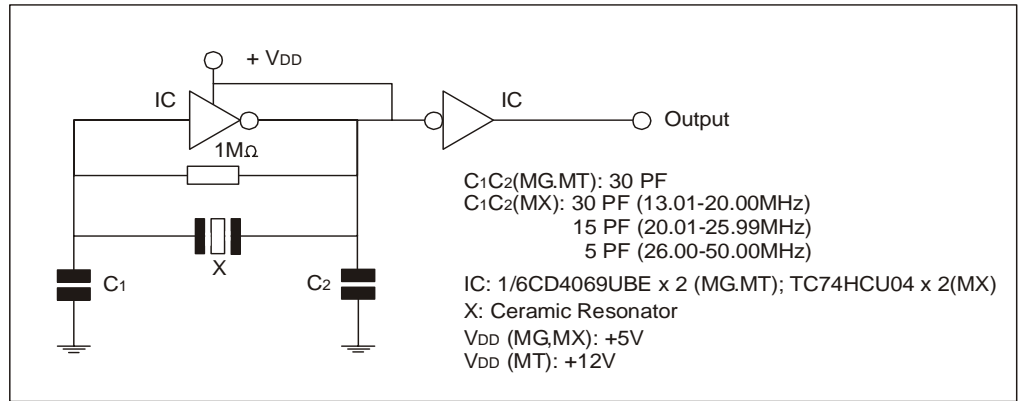
FEATURES

- HIGH RELIABILITY FOR LOW COST
- WIDE FREQUENCY RANGE
- EXCELLENT CLOCK SIGNAL GENERATOR

ZTA LEADED SERIES OF CERAMIC RESONATOR



TEST CIRCUIT FOR MOS IC



PART NUMBER	FREQUENCY RANGE	CIRCUIT CONSTANTS	
		C1 (PF)	C2 (PF)
ZTA MX	13.01 ~ 20.0 MHz	30	30
	20.01 ~ 25.99 MHz	15	15
	26.0 ~ 50.0 MHz	5	5

TECHNICAL CHARACTERISTICS

PART NUMBER	FREQUENCY RANGE	FREQUENCY ACCURACY	STABILITY OVER TEMPERATURE	OPERATING TEMPERATURE	AGING FOR 10 YEARS
ZTA MG	1.80 ~ 5.0 MHz	+/-0.3% @ 25°C	+/-0.3% OVER -20/+80°C	-20/+80°C	+/-0.3%
ZTA MT	5.01 ~ 13.0 MHz	+/-0.3% @ 25°C	+/-0.3% OVER -20/+80°C	-20/+80°C	+/-0.3%
ZTA MX	13.01 ~ 50.0 MHz	+/-0.45% @ 25°C	+/-0.3% OVER -20/+80°C	-20/+80°C	+/-0.3%

OTHER PARAMETERS ARE AVAILABLE ON REQUEST / CREATE HERE YOUR SPECIFICATION

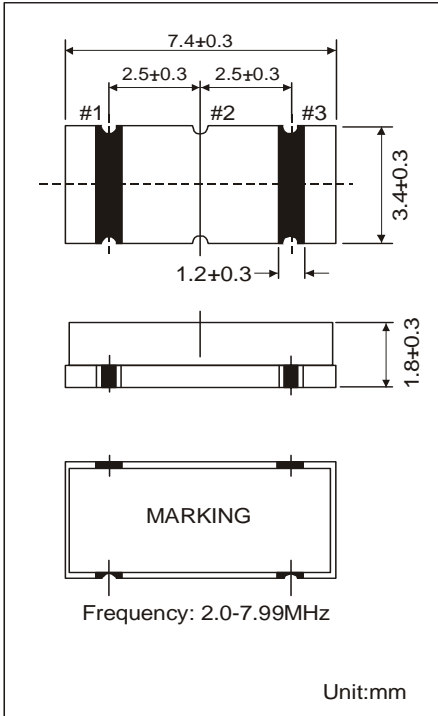
FEATURES

- HIGH RELIABILITY FOR LOW COST
- SMALL DIMENSIONS AND LOW PROFILE
- WIDE FREQUENCY RANGE
- EXCELLENT CLOCK SIGNAL GENERATOR

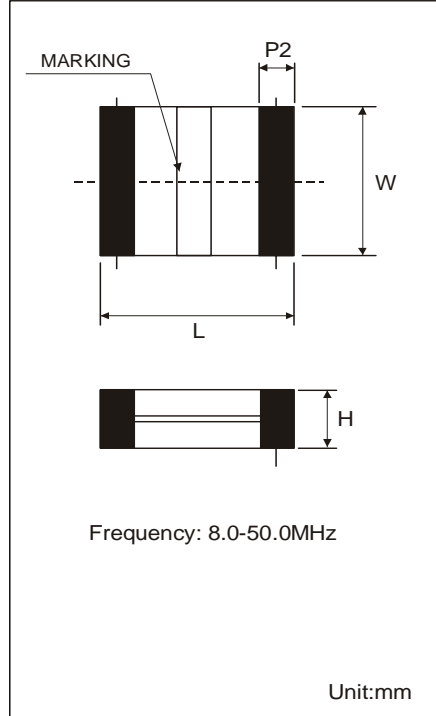


ZTA - SMD SERIES OF CERAMIC RESONATOR

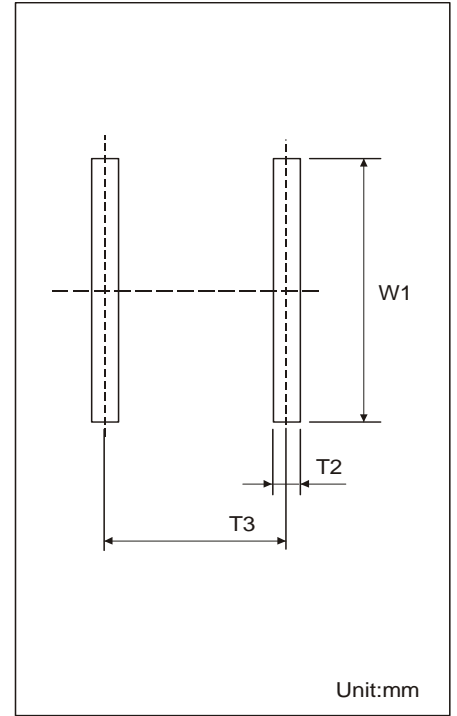
DIMENSIONS FOR ZTACC



DIMENSIONS FOR ZTACS / ZTACV



RECOMMENDED LAND PATTERN



Type \ Code	Dimensions: mm						
	L	W	H	P2	T2	T3	W1
ZTACS (MT/MX)	4.7±0.2	4.1±0.2	1.6±0.3	0.8±0.4	0.8±0.2	1.95±0.2	5.1±0.2
ZTACV (MT/MX)	3.7±0.2	3.1±0.2	1.2±0.3	0.7±0.3	0.7±0.2	1.5±0.2	4.1±0.2

TECHNICAL CHARACTERISTICS

PART NUMBER	FREQUENCY RANGE	FREQUENCY ACCURACY	STABILITY OVER TEMPERATURE	OPERATING TEMPERATURE	AGING FOR 10 YEARS
ZTACC MG	2.0 ~ 2.99 MHz	+/-0.5% @ 25°C	+/-0.3% OVER -20/+80°C	-20/+80°C	+/-0.3%
	3.0 ~ 3.49 MHz	+/-0.5% @ 25°C	+/-0.3% OVER -20/+80°C	-20/+80°C	+/-0.3%
	3.5 ~ 7.99 MHz	+/-0.5% @ 25°C	+/-0.3% OVER -20/+80°C	-20/+80°C	+/-0.3%
ZTACS/CV MT	8.0 ~ 13.0 MHz	+/-0.5% @ 25°C	+/-0.3% OVER -20/+80°C	-20/+80°C	+/-0.3%
ZTACS/CV MX	13.01 ~ 50.0 MHz	+/-0.45% @ 25°C	+/-0.3% OVER -20/+80°C	-20/+80°C	+/-0.3%

OTHER PARAMETERS ARE AVAILABLE ON REQUEST / CREATE HERE YOUR SPECIFICATION