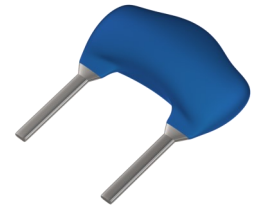


THT ZTA SERIES CERAMIC RESONATORS

FEATURES

- + High reliability for low cost
- + Small dimensions and low profile
- + Wide frequency range
- + Excellent clock signal generator
- + Tape & Reel delivery form possible



PB FREE / ROHS-2 2011/65/EU COMPLIANT

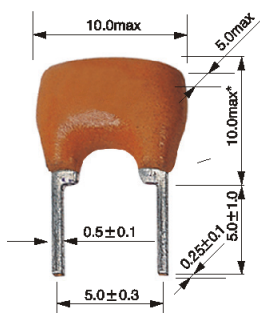
GENERAL DATA

PART NUMBER	FREQUENCY RANGE	FREQUENCY ACCURACY	STABILITY OVER TEMPERATURE	OPERATING TEMPERATURE	AGING FOR 10 YEARS
ZTAW5-MG	1.79 ~ 6.00 MHz	±0.5% at 25°C	±0.3% over -25/+85°C	-25/+85°C	±0.3%
ZTA-MT	6.00 ~ 13.00 MHz	±0.5% at 25°C	±0.3% over -25/+85°C	-25/+85°C	±0.3%
ZTA-MX	12.00 ~ 60.0 MHz	±0.5% at 25°C	±0.3% over -25/+85°C	-25/+85°C	±0.3%

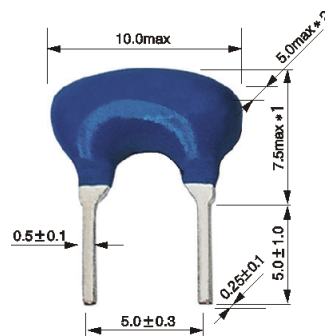
[OTHER PARAMETERS ARE AVAILABLE ON REQUEST / CREATE HERE YOUR SPECIFICATION](#)

DIMENSIONS

ZTA-MT/MX



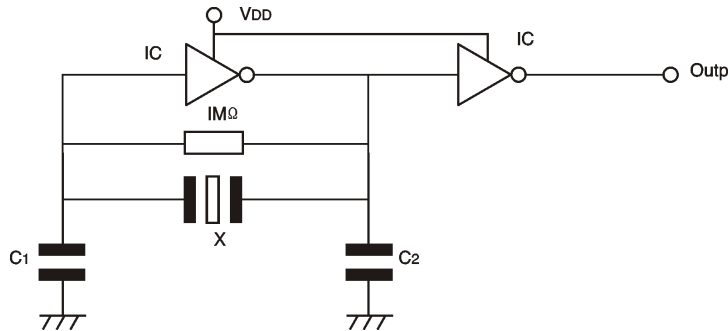
ZTAW5-MG



- *MT: 10.0 max;
- *MX: 12.00~23.99MHz, 10.0 max
24.00~31.99MHz, 7.5 max
32.00~60.00MHz, 6.5 max

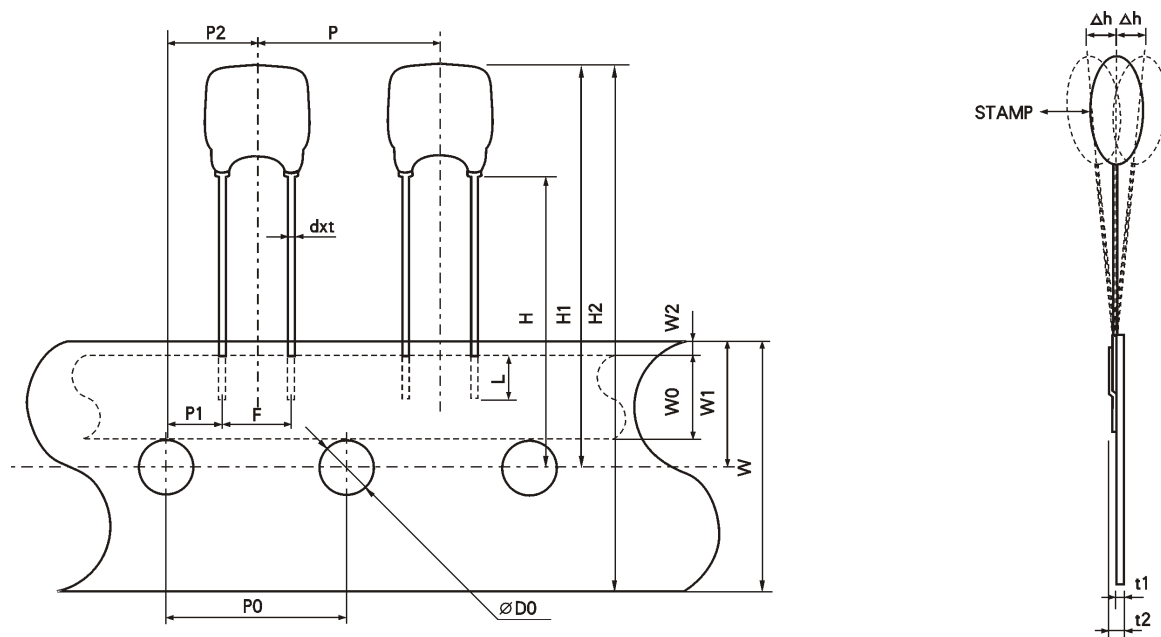
*1 WS: 5.5 max;

TEST CIRCUIT FOR MOS IC



IC(MG,MT): 1/6TC4069UBP × 2
 (MX): 1/6TC74HCU04 × 2
 C₁C₂(MG,MT): 30pF
 (MX): 30pF(12.00 ~ 20.00MHz)
 15pF(20.01 ~ 25.99MHz)
 5pF(26.00 ~ 60.00MHz)
 X: Ceramic Resonator
 V_{DD}: +5V

AMMO PACK TAPING DIMENSIONS (OPTION)

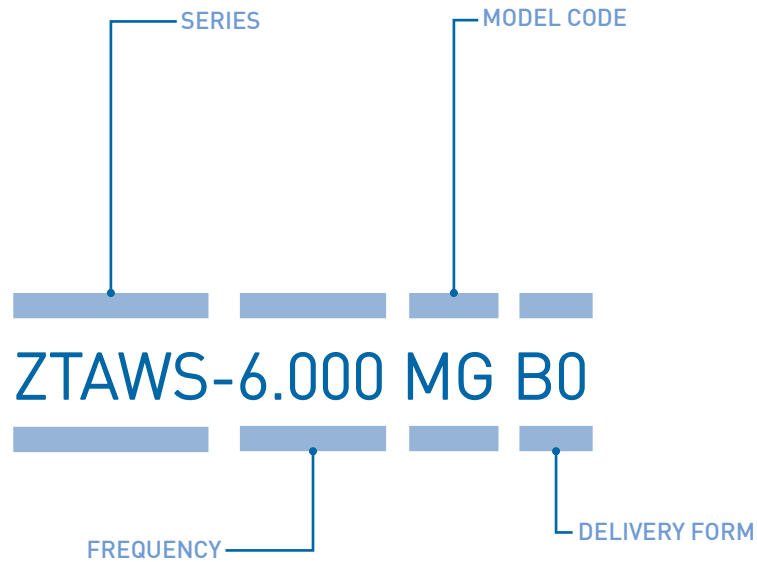


CODE	P	P0	P1	P2	F	DXT	W	W0	W1	W2	H	H1	H2	L	ØD0	T1	T2	ΔH
Size	12.7±0.5	12.7±0.2	3.85±0.5	6.35±1.3*	5.0 ^{+0.5} _{-0.3}	0.5X0.25(±0.1) [Ø0.48±0.05]	18.0±0.5	5.5±0.5	9.0±0.5	1.0max	18.0 ^{+0.5} _{-1.0}	27.0max	36.0max	3.0min	4.0±0.2	0.6±0.2	1.5max	1.0max

2000pcs per box

*Include the slant of products

ORDERING INFORMATION



DELIVERY FORM

OPTIONS

B0	= Bulks (standard)
A0	= AMMO PACKING (2.000 pcs per ammo pack)

EXAMPLE: ZTAWS-6.000MG-B0

PLEASE INDICATE YOUR REQUIRED PARAMETERS



PREMIUM QUALITY BY PETERMANN-TECHNIK



OUR COMPANY IS CERTIFIED ACCORDING TO ISO 9001:2015 IN OCTOBER 2016 BY THE DMSZ CERTIFIKATION GMBH AND CERTIFIED ACCORDING TO 14001:2015 IN MARCH 2018 BY SEQ-CERT.

THIS IS FOR YOU TO ENSURE THAT THE PRINCIPLES OF QUALITY MANAGEMENT ARE FULLY IMPLEMENTED IN OUR QUALITY MANAGEMENT SYSTEM AND QUALITY CONTROL METHODS ALSO DOMINATE OUR QUALITY STANDARDS.