

SMD QUARTZ CRYSTAL

SERIES SMD02502 (4 pad housing 2.5x2.0mm)

FEATURES

- + Tight tolerance / tight stability available
- + High reliability for low cost
- + Low profile – 0.6 mm package height
- + Ultra miniature size and lightweight
- + Excellent clock signal generator for CPU´s



PB FREE / ROHS COMPLIANT

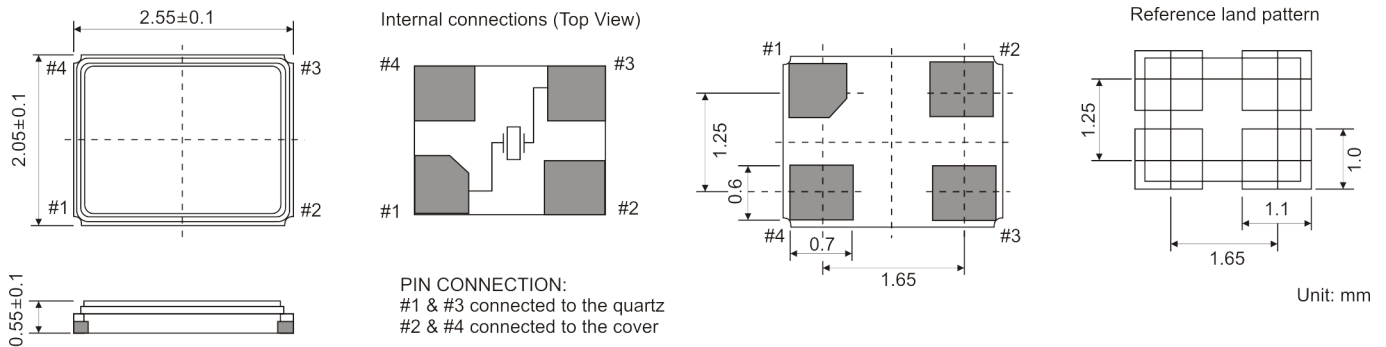
GENERAL DATA

PARAMETERS	PRODUCT FEATURES AND CONDITIONS
SMD-CRYSTAL SERIES	SMD02502/4
NUMBER OF SOLDER PADS	4
FREQUENCY RANGE	12.0 ~ 125.0 MHz AT-Fundamental (please ask if your required frequency is developed)
FREQUENCY TOLERANCES AT 25°C	±10 ppm ~ ±50 ppm
LOAD CAPACITANCE (C _L)	Series, 8 pF, 10 pF, 12 pF (other C _L on request)
WORKING TEMPERATURE RANGES	0/+50°C ~ -40/+85°C
SHUNT CAPACITANCE (C ₀)	7 pF max.
DRIVE LEVEL	10 µW (100 µW max.)
AGING	±3 ppm per year standard (±1 or ±2 ppm available on request)
INSULATION RESISTANCE	>500 MΩ DC/100V ±10%
STORAGE TEMPERATURE	-55°/+125°C
DELIVERY FORM	Tape and Reel (3.000 pcs per reel)
SELECT YOUR REQUIRED CRYSTAL (PRODUCT CONFIGURATOR)	REQUEST CRYSTAL SAMPLES (SAMPLE CONFIGURATOR)

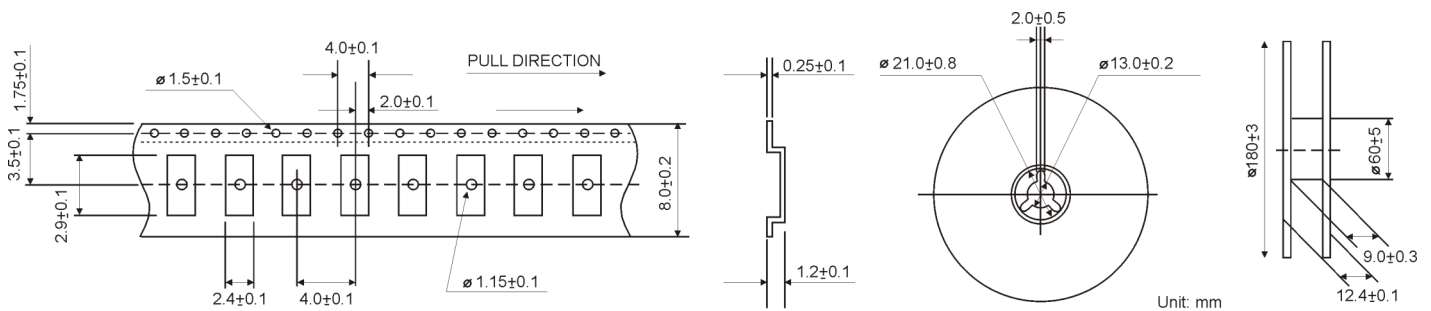
FREQUENCY STABILITY VS. TEMPERATURE

	±8ppm	±10ppm	±12ppm	±15ppm	±20ppm	±30ppm	±50ppm
0°/+50°C	+	+	+	+	+	+	+
-10°/+60°C	+	+	+	+	+	+	+
0°/+70°C	+	+	+	+	+	+	+
-20°/+70°C		+	+	+	+	+	+
-40°/+85°C				+	+	+	+

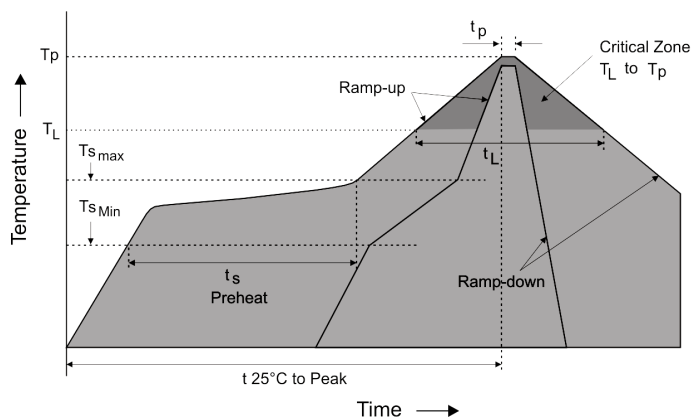
DIMENSIONS



REEL SPECIFICATION



REFLOW SOLDER PROFILE

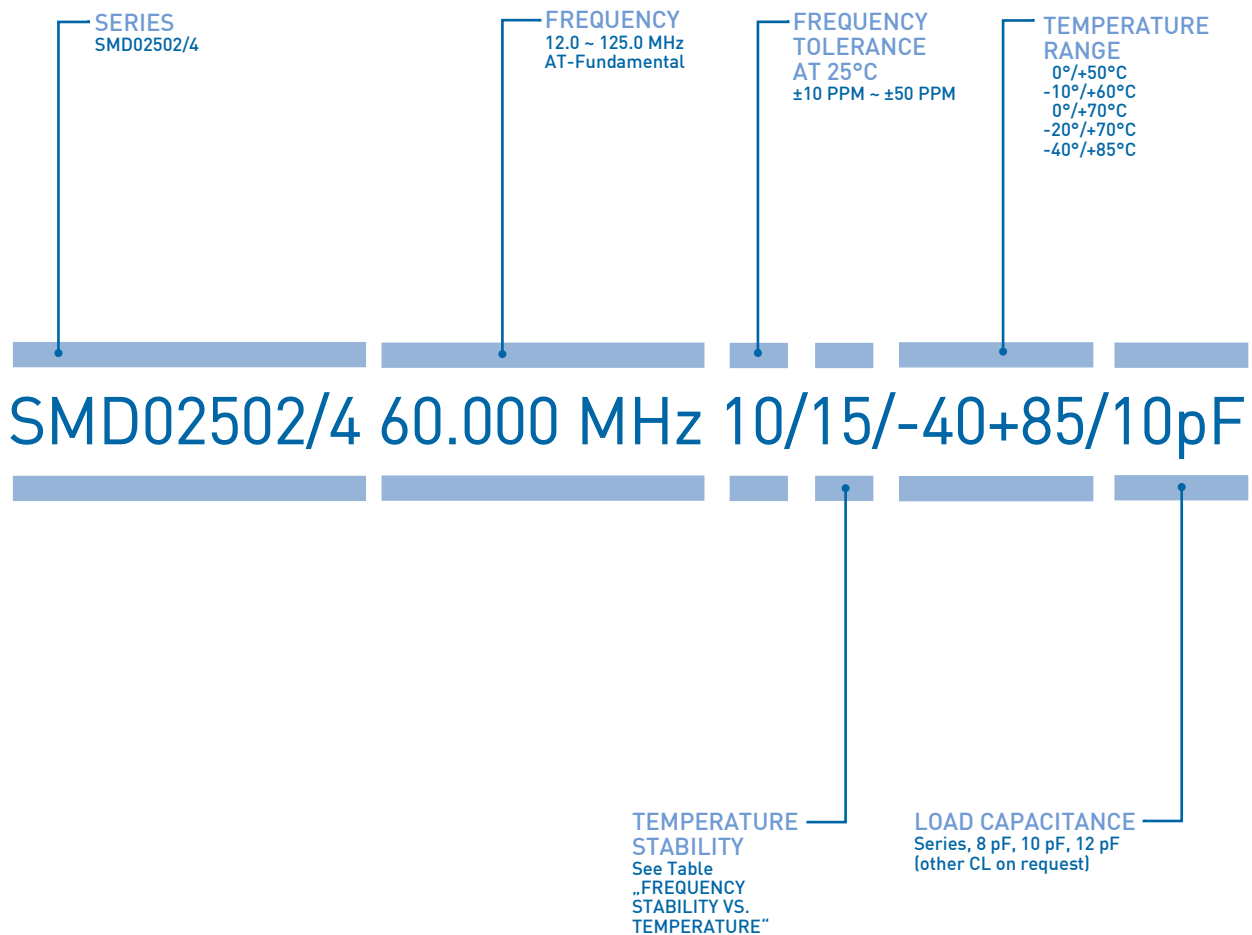


Profile Feature	Pb-Free Assembly
Average ramp-up rate (TL to TP)	3°C/second max.
Preheat:	
Temperature Min (Tsmin)	150°C
Temperature Max (Tsmax)	200°C
Time (min to max) [ts]	60-180 seconds
Time maintained above:	
Temperature [TL]	217°C
Time [tL]	60-150 seconds
Peak/Classification Temperature [Tp]	260°C
Time within 5°C of actual Peak Temperature (tp)	20-40 seconds
Ramp-down Rate	6°C/second max.
Time 25°C to Peak Temperature	8 minutes max.

RESONANCE RESISTANCE

FREQUENCY IN MHz	VIBRATION MODE	ESR MAX. IN Ω
12 MHz	AT Fund.	200
13.0 ~ 16.0 MHz	AT Fund.	100
16.0 ~ 20.0 MHz	AT Fund.	80
20.0 ~ 30.0 MHz	AT Fund.	60
30.0 ~ 100.0 MHz	AT Fund.	40

ORDERING INFORMATION



EXAMPLE: SMD02502/4 60.000 MHz 10/15/-40+85/10pF
PLEASE INDICATE YOUR REQUIRED PARAMETERS



PREMIUM QUALITY BY PETERMANN-TECHNIK



OUR COMPANY IS CERTIFIED ACCORDING TO ISO 9001:2008 IN OCTOBER 2013 BY THE DMSZ CERTIFIKATION GMBH.

THIS IS FOR YOU TO ENSURE THAT THE PRINCIPLES OF QUALITY MANAGEMENT ARE FULLY IMPLEMENTED IN OUR QUALITY MANAGEMENT SYSTEM AND QUALITY CONTROL METHODS ALSO DOMINATE OUR QUALITY STANDARDS.